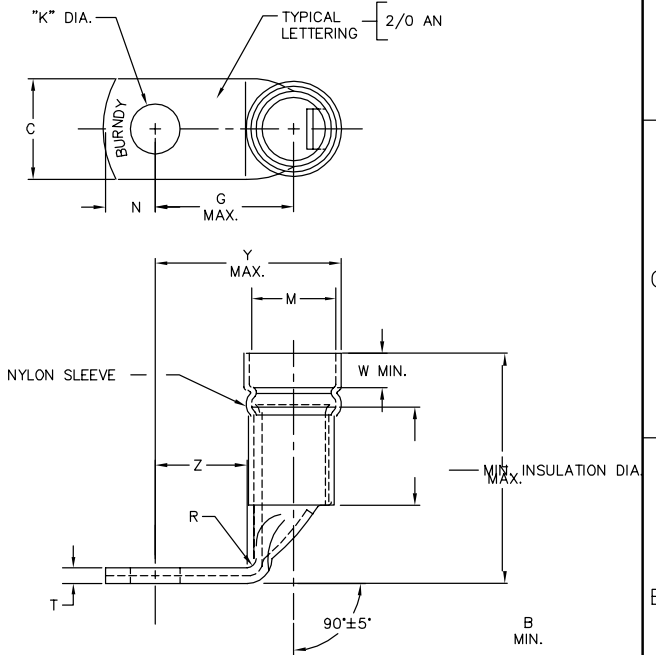


DRAWING NO.
SD066231-01

| CATALOG NUMBER | COPPER AIRCRAFT CABLE MIL-W-5086 | STUD SIZE | B MIN. | C ±.03 | K ±.010 | L MAX. | N ±.02 | T ±.02 | Z MIN. | INSUL. COLOR | INSTALLATION TOOL INDEX NUMBER |
|----------------|----------------------------------|-----------|--------|--------|---------|--------|--------|--------|--------|--------------|--------------------------------|
| YAEV8C-RH14 | AN-8 | 6,7 OR 8 | .375 | .41 | .173 | 1.38 | .20 | .07 | .250 | RED | 435 |
| YAEV8C-RH | | 8,9 OR 10 | | .41 | .198 | | .20 | .07 | .250 | | |
| YAEV8C-RH1 | | 1/4 | | .41 | .272 | | .25 | .07 | .281 | | |
| YAEV8C-RH2 | | 5/16 | | .56 | .331 | | .28 | .062 | .312 | | |
| YAEV8C-RH3 | | 3/8 | | .56 | .398 | | .31 | .06 | .344 | | |
| YAEV8C-RH4 | 1/2 | .75 | .525 | .38 | .05 | .469 | | | | | |
| YAEV6C-RH1G1 | AN-6 | 8,9 OR 10 | .438 | .45 | .198 | 1.618 | .25 | .07 | .469 | BLUE | 436 |
| YAEV6C-RH1 | | 8,9 OR 10 | | .50 | .272 | | .25 | .06 | .281 | | |
| YAEV6C-RH | | 1/4 | | .50 | .272 | | .25 | .06 | .281 | | |
| YAEV6C-RH4 | | 5/16 | | .59 | .331 | | .31 | .062 | .344 | | |
| YAEV6C-RH2 | | 3/8 | | .59 | .398 | | .31 | .06 | .344 | | |
| YAEV4C-RH3 | YAEV8C-RH5 AN-4 | 8,9 OR 10 | .438 | .53 | .198 | 1.98 | .25 | .25 | 1.04 | YELLOW | .281 437 |
| YAEV4C-RH | | 1/4 | | .53 | .272 | | .25 | .25 | 1.04 | | |
| YAEV4C-RH4 | | 5/16 | | .62 | .331 | | .31 | .062 | 1.11 | | |
| | | 3/8 | | .62 | .398 | | .31 | .062 | 1.11 | | |
| | | 1/2 | | .81 | .525 | | .44 | .38 | 1.23 | | |
| YAEV2C-RH3 | YAEV6C-RH10 AN-2 | 8,9 OR 10 | .562 | .67 | .198 | 1.707 | .33 | .38 | 1.23 | RED | 438 |
| YAEV2C-RH1 | | 8,9 OR 10 | | .67 | .272 | | .33 | .38 | 1.23 | | |
| YAEV2C-RH2 | | 8,9 OR 10 | | .67 | .331 | | .33 | .38 | 1.23 | | |
| | | 1/4 | | .67 | .398 | | .33 | .062 | 1.23 | | |
| | | 1/2 | | .77 | .525 | | .38 | .44 | 1.35 | | |
| YAEV1C-RH1 | YAEV4C-RH2 AN-2 | 1/4 | .750 | .73 | .272 | 1.896 | .33 | .52 | 1.09 | WHITE | 600 |
| YAEV4C-RH5 | | 5/16 | | .73 | .331 | | .33 | .094 | 1.09 | | |
| YAEV4C-RH7 | | 3/8 | | .73 | .398 | | .33 | .094 | 1.09 | | |
| | | 1/2 | | .88 | .525 | | .44 | .44 | 1.35 | | |
| | | 5/8 | | .81 | .198 | | .39 | .52 | 1.50 | | |
| YAEV25-RH1 | YAEV2C-RH AN-2 | 1/4 | .625 | .81 | .272 | 2.949 | .39 | .640 | 1.50 | BLUE | 439 |
| YAEV25-RH2 | | 5/16 | | .81 | .331 | | .39 | .640 | 1.50 | | |
| YAEV25-RH | | 3/8 | | .81 | .398 | | .39 | .640 | 1.50 | | |
| YAEV25-RH3 | | 1/2 | | .88 | .525 | | .44 | .44 | 1.50 | | |
| YAEV25-RH4 | | 5/8 | | .92 | .656 | | .50 | .50 | 1.69 | | |
| YAEV26-RH1 | YAEV1C-RH2 AN-2 | 5/8 | .750 | .81 | .272 | 1.881 | .39 | .58 | 1.50 | YELLOW | 601 |
| YAEV1C-RH | | 5/8 | | .81 | .331 | | .39 | .58 | 1.50 | | |
| YAEV1C-RH3 | | 5/8 | | .81 | .398 | | .39 | .58 | 1.50 | | |
| YAEV25-RH5 | | 5/8 | | .81 | .398 | | .39 | .58 | 1.50 | | |
| | | 5/8 | | .81 | .398 | | .39 | .58 | 1.50 | | |
| YAEV26-RH2 | YAEV26-RH VARIATIONS: | 1/4 | .750 | .81 | .272 | 1.881 | .39 | .66 | 1.50 | YELLOW | 601 |
| YAEV26-RH1 | | 1/4 | | .81 | .331 | | .39 | .66 | 1.50 | | |
| YAEV26-RH3 | | 1/2 | | .88 | .525 | | .44 | .66 | 1.50 | | |
| YAEV26-RH12 | | 1/2 | | .88 | .525 | | .44 | .66 | 1.50 | | |
| | | 1/2 | | .88 | .525 | | .44 | .66 | 1.50 | | |



REFERENCE: SD..029736-01

NOTES:

- MATERIAL: CONNECTOR - COPPER TUBE
- FINISH: CONNECTOR - TIN-PLATED

| | | | |
|---|--|--------------------------------|--|
| TO ORDER BURNDY® PRODUCTS CALL | | 90° INSULUG (COPPER TUBE) | |
| UNITED STATES: 1-800-346-4175 (LONDONDERRY, NH) | | ITEM NO: -- | |
| CANADA: 1-800-361-6975 (QUEBEC) | | CAT NO: YAEV---RH--- (TABLE) | |
| 1-800-387-6487 (ALL OTHER PROVINCES) | | SCALE: NTS | |
| FOR PRODUCT INFO: http://www.burndy.com | | DRAWN BY: R. BOISVERT 03/07/07 | |
| | | CHECKER: P. LAPONUIS 03/09/07 | |
| | | DSN APPV: WARTLE 02/11/14 | |
| | | MFG APPV: S. HOLLOWAY 01/29/07 | |
| | | QC APPV: KOWALCZYK C 02/10/14 | |
| | | MKT APPV: BALLY M 02/08/14 | |
| | | DRAWING NO: SD066231-01 | |
| | | SHEET 1 of 1 | |

SD.029023-01
SD.064711-01